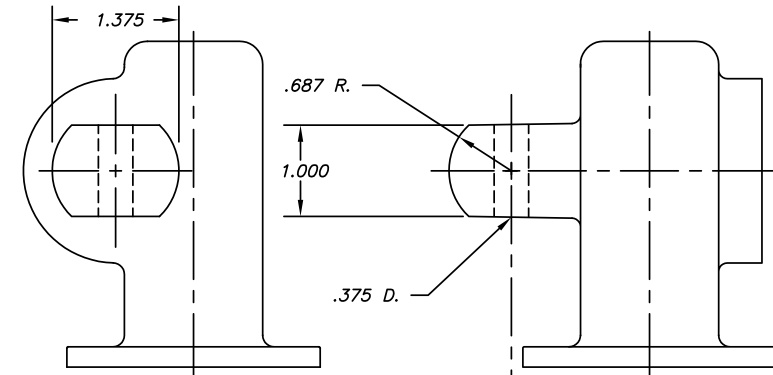


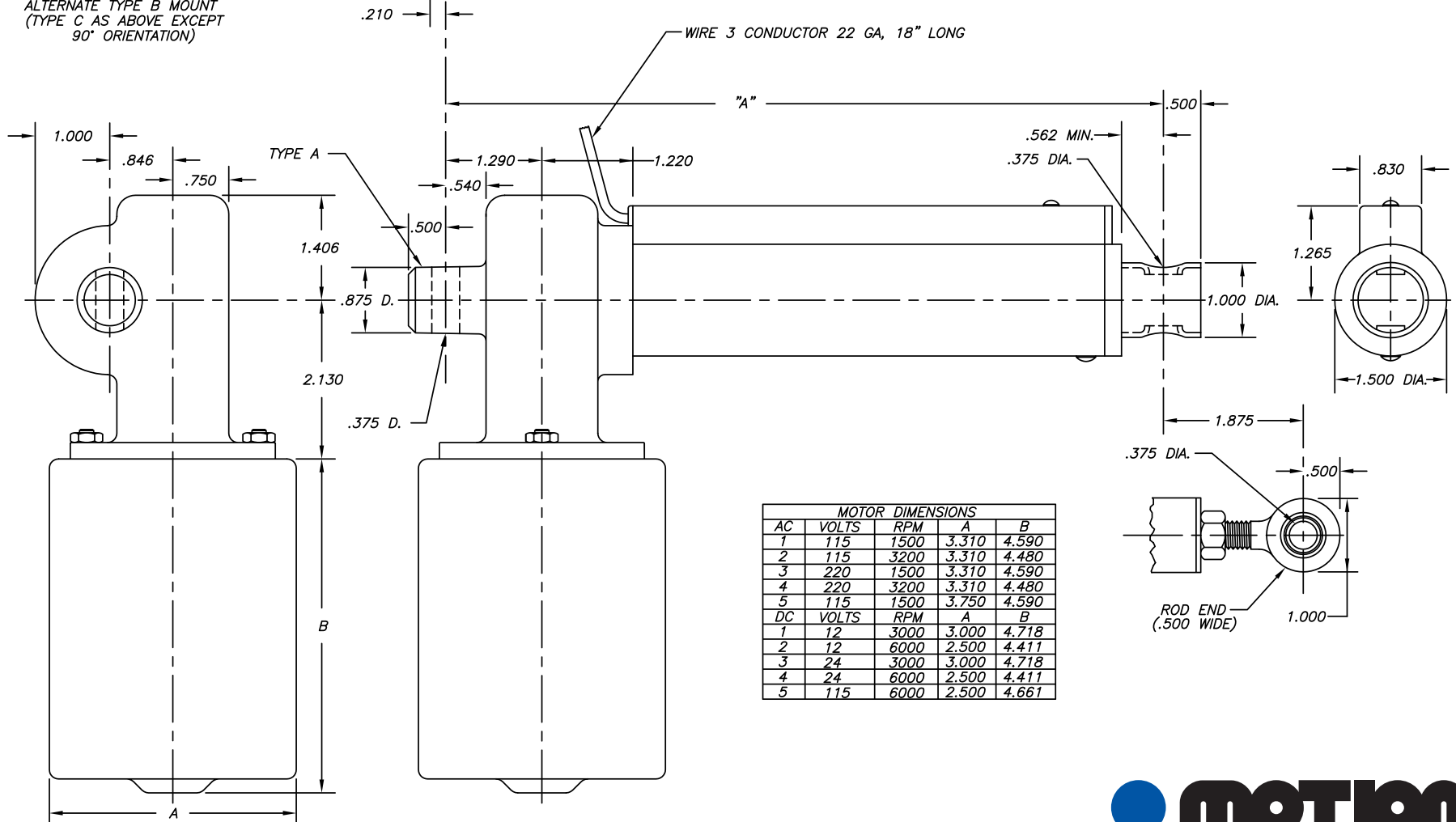
85151

Potentiometer

"A"	STROKE	RESISTANCE	
		OHMS	LINEARITY
7.875	0+ TO 2"	3K ±20%, ±5%	
8.875	2+ TO 3"	6K ±20%, ±5%	
9.875	3+ TO 4"	6K ±20%, ±5%	
10.875	4+ TO 5"	9K ±20%, ±5%	
11.875	5+ TO 6"	9K ±20%, ±5%	
12.875	6+ TO 7"	9K ±20%, ±5%	
13.875	7+ TO 8"	9K ±20%, ±5%	
15.875	8+ TO 10"	9K ±20%, ±5%	
17.875	10+ TO 12"	9K ±20%, ±5%	
23.875	12+ TO 18"	9K ±20%, ±5%	



ALTERNATE TYPE B MOUNT
(TYPE C AS ABOVE EXCEPT
90° ORIENTATION)



MOTOR DIMENSIONS				
AC	VOLTS	RPM	A	B
1	115	1500	3.310	4.590
2	115	3200	3.310	4.480
3	220	1500	3.310	4.590
4	220	3200	3.310	4.480
5	115	1500	3.750	4.590
DC	VOLTS	RPM	A	B
1	12	3000	3.000	4.718
2	12	6000	2.500	4.411
3	24	3000	3.000	4.718
4	24	6000	2.500	4.411
5	115	6000	2.500	4.661